

Savant DigiFlow 8000T, Digital Filter Monitor and Flow Meter

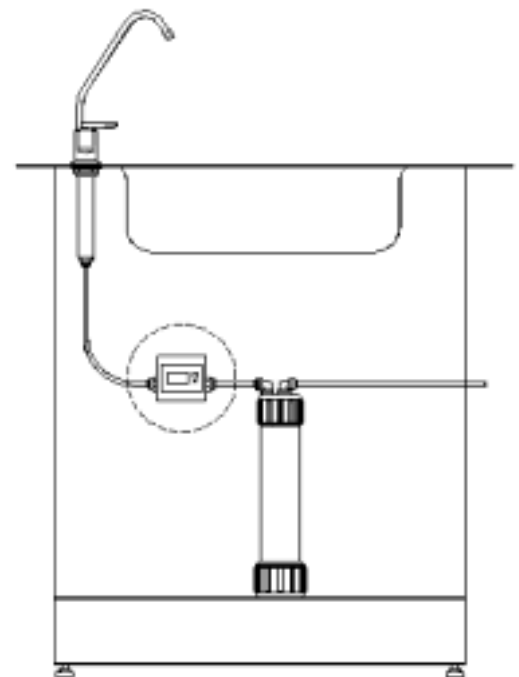
Features :

- Filter capacity life monitor, up to 99500 liters or 19900 gallons
- Filter elapse time monitor, up to 720 days
- Flow rate display, 0.95 – 13.2 lpm or 0.25 – 3.5 gpm
- Near end of filter life alert
- End of filter life alert
- Battery operated, 2 AAA batteries
- Low battery power alert
- Automatic data memorized when battery power is off



Application :

- ✓ Under sink water treatment system
- ✓ Counter top water treatment system
- ✓ Commercial water treatment system
- ✓ Water dispenser

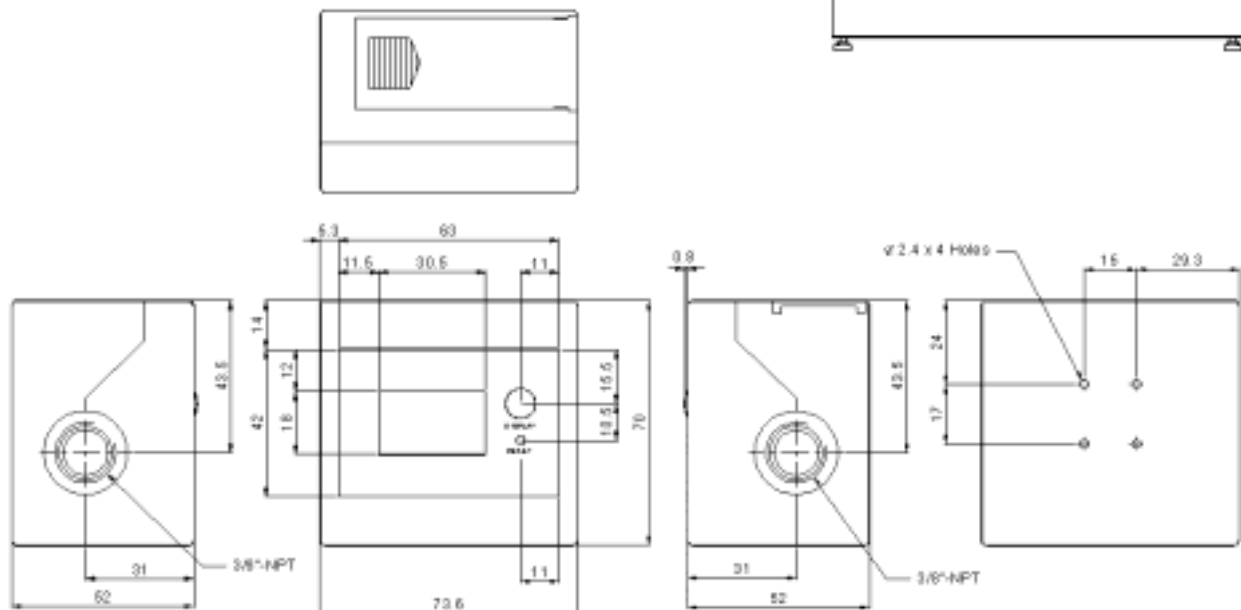


1.0 Electrical :

Operating Voltage : 3 DC Volts

Operating Current : 1.0 mA (work), 0.015 mA (sleep)

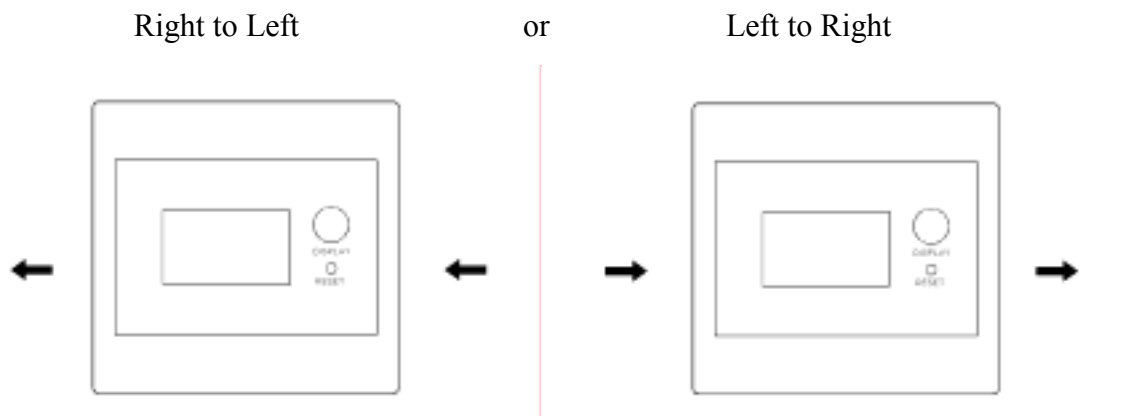
2.0 Mechanic :



3.0 Application :

Mounting Method : Back Mount

Flowing Direction : Bi-Direction



Flow Rate : Max.4.10 gpm, 15.51 lpm
 Min. 0.45 gpm, 1.70 lpm

4.0 General :

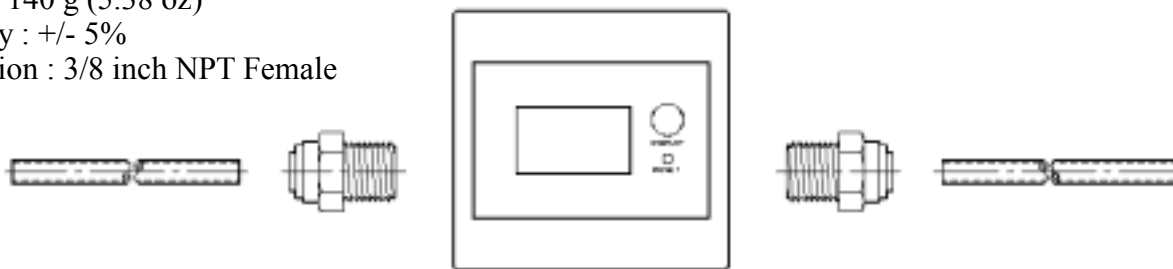
Temperature : 0 to 80°C (32 to 176 °F)

Pressure : Max. 5.5 bar (80 psi)

Weight : 140 g (5.38 oz)

Accuracy : +/- 5%

Connection : 3/8 inch NPT Female



Materials : Sensor Body : Acetal Copolymer, TICONA M90

Turbine : Acetal Copolymer, TICONA M90

Stick of Turbine : #304 Stainless Steel

O-Ring : EPDM Rubber

Housing : ABS resin

5.0 Operation Guide

5.1 Install Batteries

Slide off the cover case of the battery room, and put into 2 AAA batteries. Then slide the cover case back.

5.2 Connecting Fitting

The specification of the DigiFlow 8000T connectors is 3/8" MNPT female. You could use any 3/8" MNPT male connectors.

5.3 Setting Filter Capacity and Elapse Time Monitor

Keep pressing DISPLAY button, then press RESET button and release both of the buttons. The DigiFlow 8000T will go into setting procedure. The digit will blink to notice you that the setting procedure is on.

5.4 Setting Filter Capacity

Press DISPLAY button to choose the capacity value. The sequence is OFF - 0 - 100 - 200 - 300 19800 - 19900 - OFF - 0 -100 (gallon model) and OFF - 0 -500 - 1000 --- 99500 - OFF - 0 - 500 (Liter model). Then press RESET button to save the filter capacity value. Then go into elapse time value setting.

5.5 Setting Filter Elapse Time

Press DISPLAY button to choose the elapse time value. The sequence is OFF - 0 - 30 - 60 - 90 690 - 720 - OFF - 0 -30. Then press RESET to save the Timing. The setting procedure is completed.

* Either of the capacity mode or elapse time will be disabled when you choose value as OFF.

** The setting procedure will be terminated, and go back to the original status if there is no input for 10 seconds.

5.6 Operating

The DigiFlow 8000T will be automatically turn on when there is water flowing through the sensor. It will automatically turn off in 10 seconds when there is no water flowing.

5.7 Mode Selection :

Press DISPLAY button is to display the status of the three modes of the DigiFlow 8000T.

1. Filter remaining capacity mode, 2. Filter remaining elapse time and 3. Flow rate.

5.8 Alert

5.8.1 Near End of Life Alert

When filter remaining capacity is less than 30 gallons (100 liters) or filter remaining elapse time is less than 7 days, the buzzer will beep once and the digit will blink to notice user that the filter cartridge is near its end of life.

5.8.2 End of Life Alert

When filter remaining capacity reaches 0 gallon (liter) or filter remaining time reaches 0 day, the buzzer will beep twice and the digit will blink to notice user that the filter cartridge is in its end of life, and out of function.

After change the filter cartridge, press RESET button. The DigiFlow 8000T will be reset to the original filter remaining capacity and remaining elapse time value, and start monitoring filter again.

5.8.3 Low Battery Power Alert

When the battery power lower than normal working level, the buzzer will beep twice to notice and the battery symbol on the screen will blink to notice user to change the battery. Once the batteries are replaced, the alert will be released. The data will be kept in memory and stored back when user replace the batteries.